



ATLANTIC MILLWORK & CABINETS

Proposal

Hardwood Flooring - White Pine Mouldings - Prehungs - Stairs
17527 Nassau Commons Blvd
Lewes, DE 19958

302-644-1405 Fax 302-644-1406
Toll Free 1-888-644-1405
www.atlanticmillwork.com

DATE	5/24/2023
ESTIMATED DELIVERY	
Salesman	M.L. Jenkins

TO: michael cheiken

JOB NAME:

"WE SERVICE WHAT WE SELL"

Quantity	Stock Number/Description	Price	Amount
1	Supply koch cabinets for the hall bath and masterbath using shake door style in natural knotty hickory per drawing by atlantic millwork		\$0.00 \$3,700.00
1	Supply countertop for the hall ball price included template -fabrcation and installation of countertop group d granite		\$0.00 \$1,280.00
1	Supply countertop for the masterbath price included template -fabrcation and installation of countertop group d granite		\$0.00 \$2,655.00
1	supply 3 white farm sink for the vanity 3 x \$750		\$0.00 \$2,250.00
			\$0.00 \$0.00 \$0.00 \$0.00 \$0.00 \$7,629.00 \$0.00
1	supply koch cabinetry for the savannah door style for the laundryroom with ivory finish per drawing		\$0.00 \$7,084.00
1	Supply countertop for the laundry room price included template -fabrcation and installation		\$0.00 \$1,280.00
			\$0.00 \$0.00 \$0.00 \$0.00 \$0.00 \$0.00 \$0.00

COD SALES 50% DEPOSIT REQUIRED AT TIME OF ORDER BALANCE UPON RECEIPT/DELIVERY

Material cannot be cancelled and is non-returnable once ordered.

Pricing is good for 30 days. Material is billed 30 days after being received.

No material will be ordered until proposal is signed.

Any alteration or deviation from above specification involving extra costs will be executed only upon written orders, and will become an extra charge over and above the proposal.

Our Mission...to be a leading : **THANK YOU FOR YOUR BUSINESS!!!**

necessary to meet the value requirements of our ultimate customer.

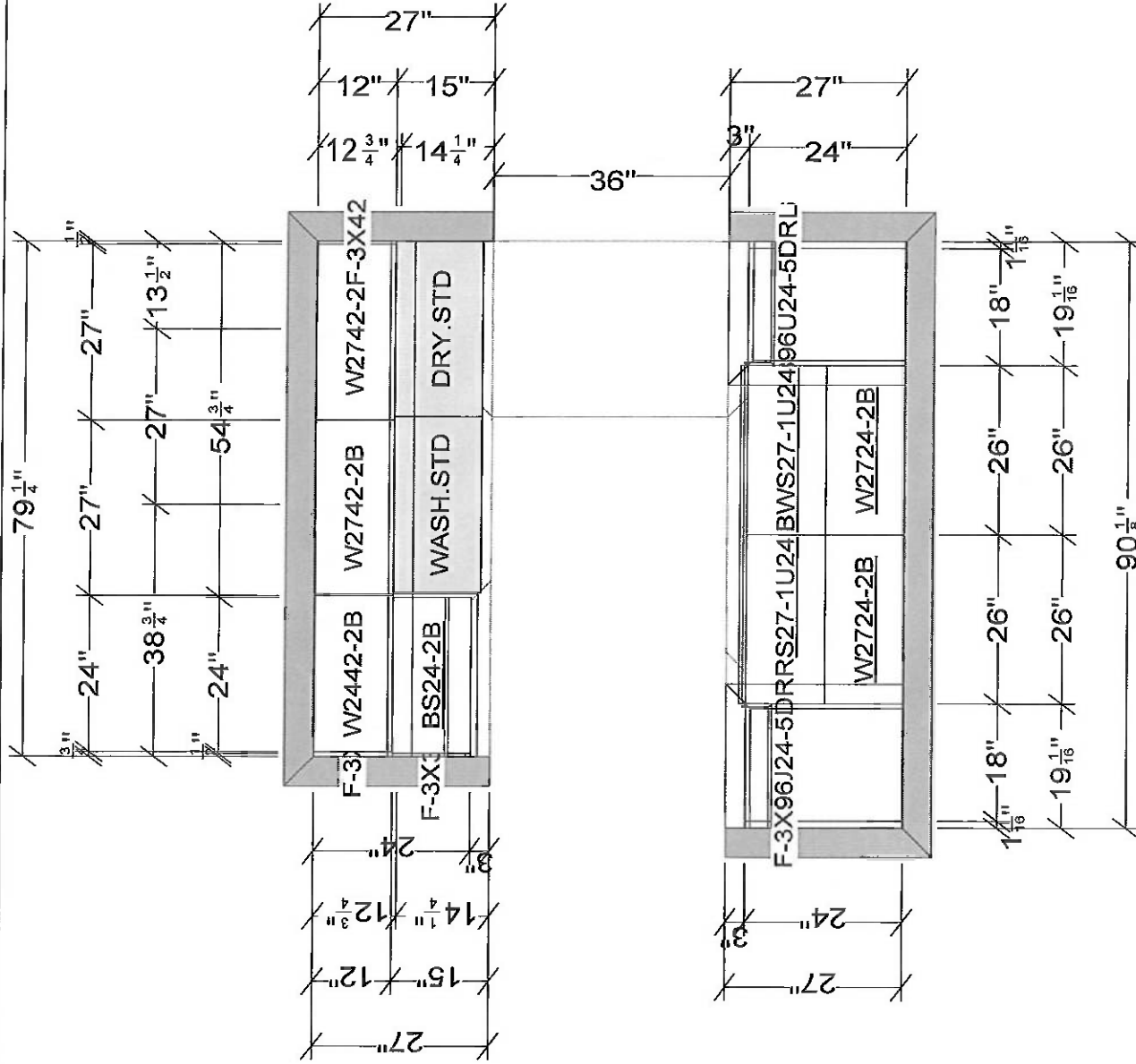
A 3% Convenience Fee will be added to All Visa and Master Card Transactions

Accepted By _____

Date / /

Acceptance of Proposal: The above prices, specifications and conditions are satisfactory and are hereby accepted.

Sub Total	\$25,878.00
Sales Tax	\$0.00
Total	\$25,878.00

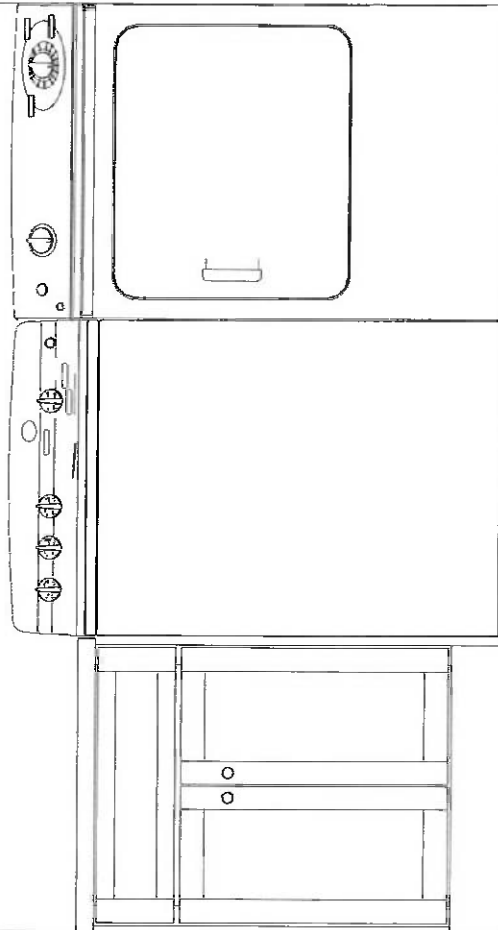
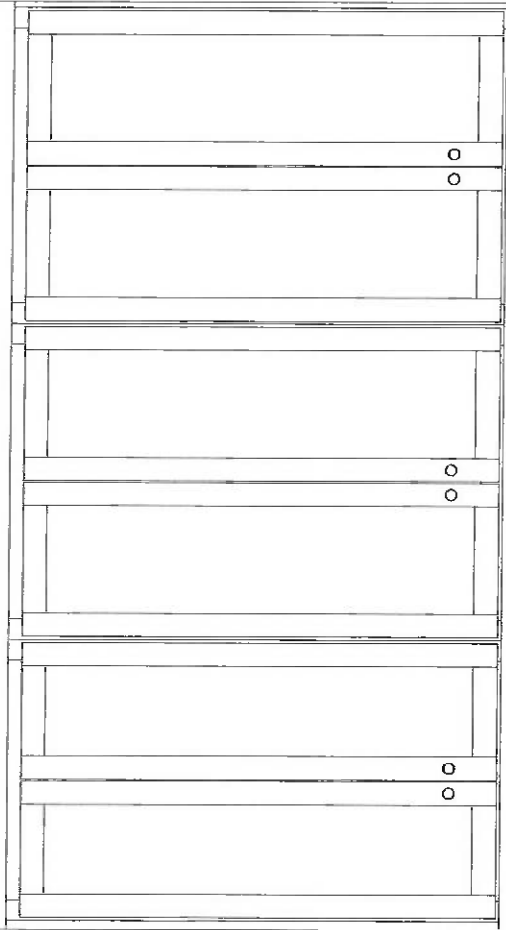


All dimensions .size designations given are subject to verification on job site and adjustment to fit job conditions.

2020

This is an original design and must not be released or copied unless applicable fee has been paid or job order placed.

Designed: 3/21/2023
 Printed: 5/18/2023



Note: This drawing is an artistic interpretation of the general appearance of the design. It is not meant to be an exact rendition.

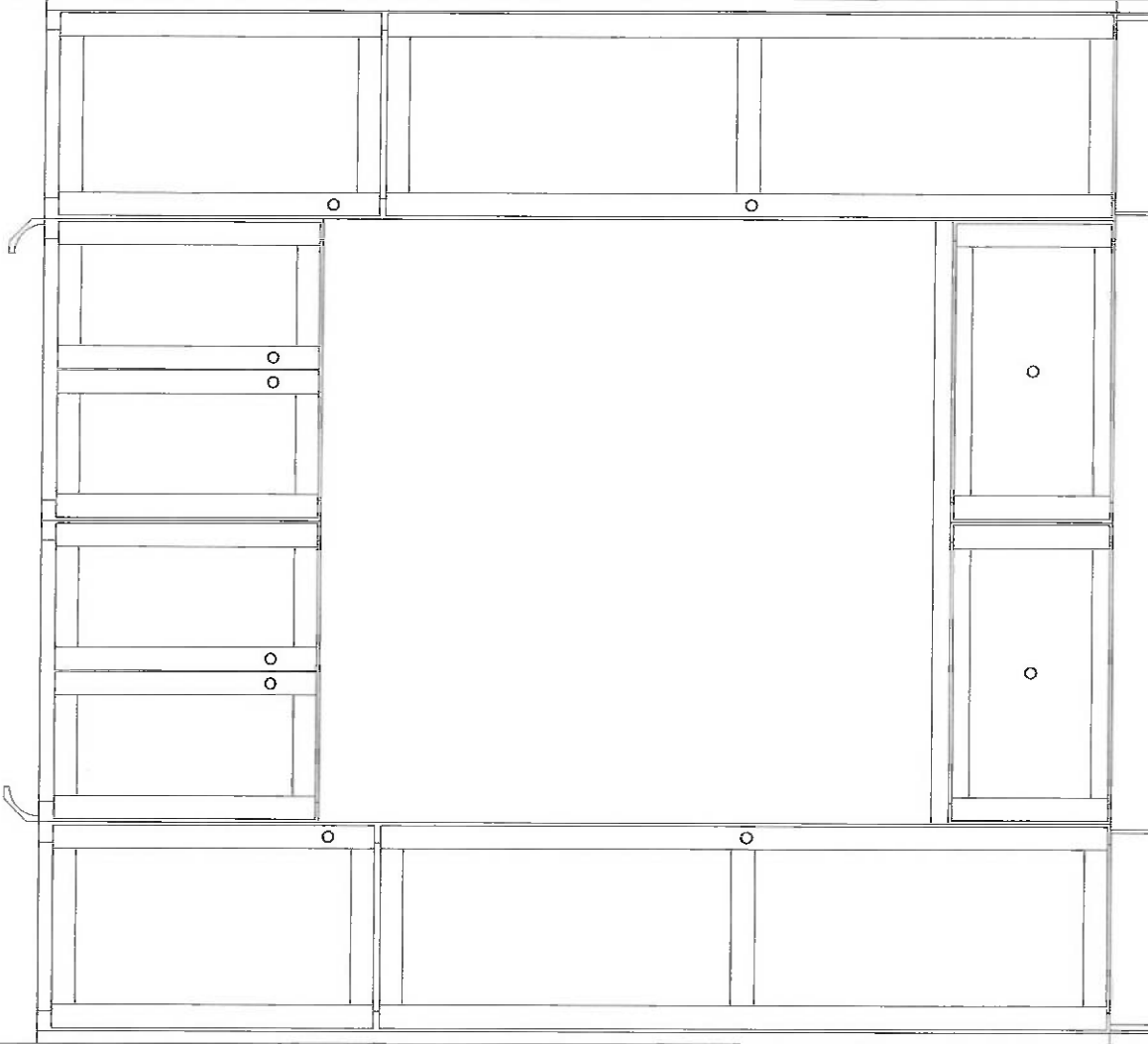
Designed: 3/21/2023
Printed: 5/18/2023

2020

CHEIKLIN MICHEAL LAUNDRY.kit

All

Drawing #: 1



Note: This drawing is an artistic interpretation of the general appearance of the design. It is not meant to be an exact rendition.

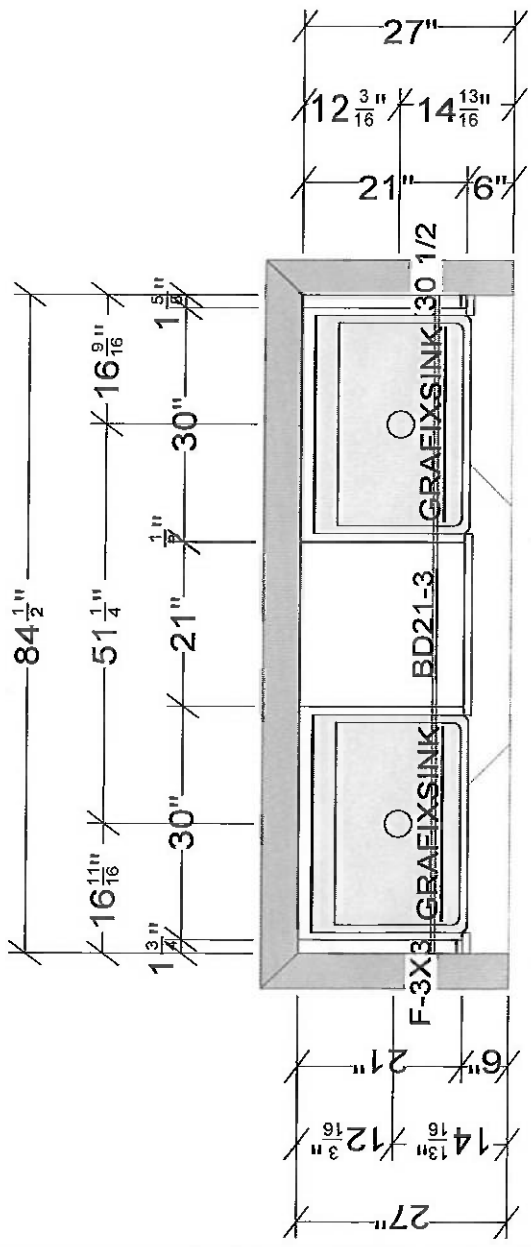
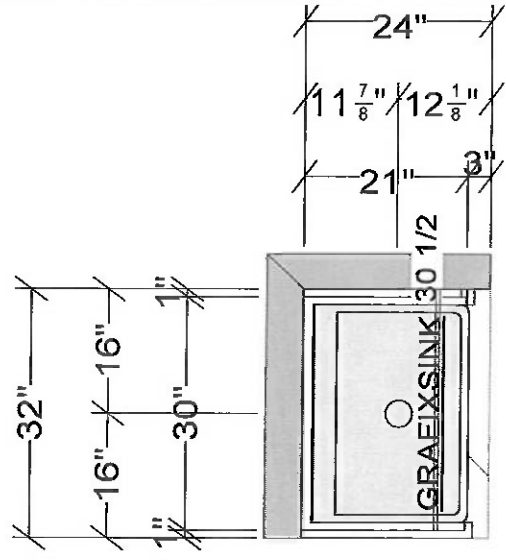
2020

Designed: 3/21/2023
Printed: 5/18/2023

CHEIKLIN MICHEAL LAUNDRY.kit

All

Drawing #: 1



All dimensions _size designations given are subject to verification on job site and adjustment to fit job conditions.

2020

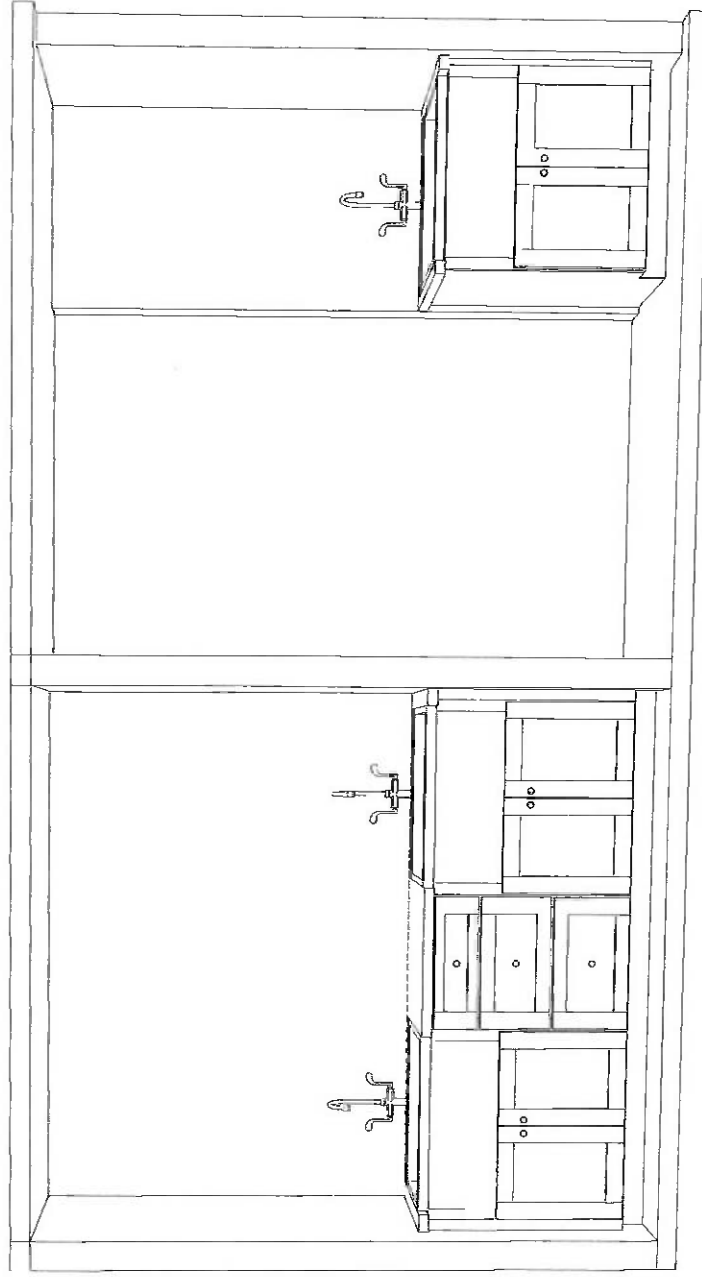
This is an original design and must not be released or copied unless applicable fee has been paid or job order placed.

Designed: 5/18/2023
Printed: 5/24/2023

cheiken Micheal master.kit

All

Drawing #: 1 | No Scale.



Note: This drawing is an artistic interpretation of the general appearance of the design. It is not meant to be an exact rendition.

Designed: 5/18/2023
Printed: 5/24/2023

2020

cheiken_micheal_master.kit

All

Drawing #: 1