

Technical Specs

Technical specifications for Emporia Gen 2 Vue, Emporia EV Charger, Emporia V2X Charger, Alpha-ESS Home Battery Systems, Emporia Current Sensors, Vue Utility Connect, and Emporia Smart Plugs



<p>Supported Systems</p> <p>PRODUCTS BLOG PARTNERS CAR DEALERS ABOUT HELP</p>	<p>1) single-phase up to 240VAC line-neutral; 2) single, split-phase 120/240VAC; and 3) three-phase up to 415Y/240VAC (no Delta)</p>
<p>WiFi</p>	<p>2.4 GHz 802.11b/g/n</p>
<p>Input Power Rating</p>	<p>100-240VAC 50-60Hz</p>
<p>Power Consumption</p>	<p>< 3W</p>
<p>Certification</p>	<p>Energy monitor: EMCTV2 (E506714) as per UL/IEC/EN 62368-1</p>
<p>FCC ID</p>	<p>2AS6P-EMPCTV2</p>
<p>Dimensions</p>	<p>4.1" x 3.1" x 1.1" (105mm x 80mm x 30mm)</p>



Support

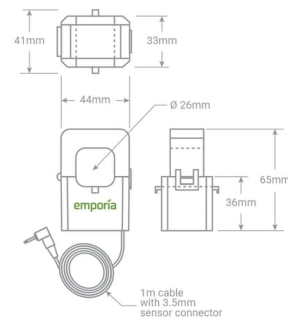
Operating Conditions	-40 to +122° F (-40 to +50° C) 0 to 80% RH
200A sensor ports	3 @ 3.5mm two-pole audio connector
50A sensor ports	16 @ 2.5mm two-pole audio connector
WiFi antenna port	1 @ RP-SMA coaxial connector
Wire harness (power) port	1 @ 4-pin Molex connector

Shop Gen 2 Vues

Gen 2 200A Current Sensor

[Download Gen 2 Vue Spec Sheet PDF](#)

Frequency	50-60Hz
Max Current	200A
Output	0.0 – 0.333V (Measuring 0-200A)
Accuracy	±2%
Dimensions	2.6" x 1.7" x 1.6" (65mm x 44mm x 41mm)
Window Diameter	1" (26mm)
Cable Length	39" (1m)
Connector	3.5mm right-angled two-pole audio connector

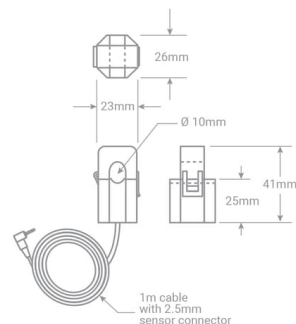


Shop Gen 2 Vues

Gen 2 50A Current Sensor

[Download Gen 2 Vue Spec Sheet PDF](#)

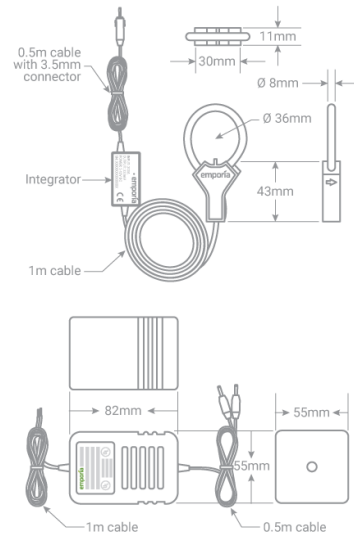
Frequency	50-60Hz
Max Current	50A
Output	0.0 – 0.333V (Measuring 0-50A)
Accuracy	±2%
Dimensions	1.6" x 0.9" x 1" (41mm x 23mm x 26mm)
Window Diameter	0.39" (10mm)
Cable Length	39" (1m)
Connector	2.5mm right-angled two-pole audio connector



Shop Gen 2 Vues

Gen 2 200A Flexible Current Sensor

Frequency	50-60Hz
Max Current	200A
Output	0.0 – 0.333V (Measuring 0-200A)
Accuracy	±2%
Sensor Dimensions	1.7" x 1.2" x 0.4" (43mm x 30mm x 11mm)
Window Diameter	1.4" (36mm)
Cable Lengths	1 @ 39" (1m) 1 @ 18" (0.5m)
Connector	3.5mm two-pole audio connector
Power Adapter Input	120VAC 60Hz UL listing: I.T.E Power Supply E484562
Power Adapter Output	12V DC
Power Adapter Size	3.25"x 2.25"x 2.25" (82mm x 55mm x 55mm)
Power Adapter Cable Lengths	1 Input @ 39" (1m) 1 Output @ 18" (0.5m)



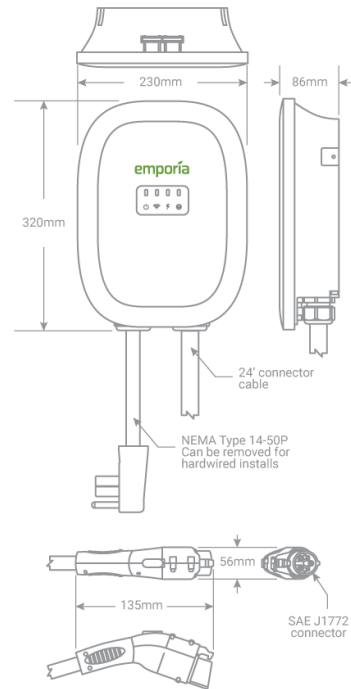
Shop Flexible Current Sensors

Smart Home EV Charger

Download EV Charger Spec Sheet PDF



Type	Level 2 / 48A
Input Voltage	208 / 240VAC @ 50 / 60Hz
Power Charge	11.5kW (240V/48A) / 9.6kW (240V/40A) / 10kW (208V/48A) / 8.3kW (208V/40A)
Power Wiring	NEMA Type 14-50P (up to 40A) / Hardwired (up to 48A)
Dedicated Breaker / Max Charge	15A (2.9kW / 12A max charge) 20A (3.8kW / 16A max charge) 25A (4.8kW / 20A max charge) 30A (5.8kW / 24A max charge) 35A (6.7kW / 28A max charge) 40A (7.7kW / 32A max charge) 45A (8.6kW / 36A max charge) 50A (9.6kW / 40A max charge) 60A (11.5kW / 48A max charge) <i>Hardwired Only</i> 70A (11.5kW / 48A max charge) <i>Hardwired Only</i> 80A (11.5kW / 48A max charge) <i>Hardwired Only</i>
Connector	24' cable SAE J1772 connector - Compatible with any EV (adapter required for Tesla)
Dimensions	Charging Station: 12.6" x 9" x 3.4" (320mm x 230mm x 86mm) Charging Gun: 5.3" x 2.2" (135mm x 56mm)
Enclosure	Watertight NEMA Type 4 indoor/outdoor
Certifications	FCC Parts 15b & c UL Listed E528156 Energy Star Certified 2397026
WiFi	2.4 GHz 802.11b/g/n
FCC ID	2AS6P-EMEVSE1

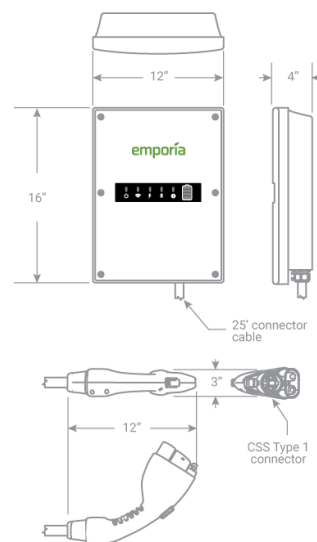


Shop EV Chargers

V2X Bi-Directional Charger

Download EV Charger Spec Sheet PDF

Type	V2X (V2H/V2G) Bi-Directional / Level 2 / 48A
Charging	Power: 11.52kW Input: 240V/48A AC Output: 0-450V/40A DC Peak Efficiency: >98%
Discharging	Power: 11.52kW Input: 0-450V/40A DC Output: 240V/48A AC Peak Efficiency: >98%
Connector	25' cable with either CCS Type 1 or NACS connector
Interface	ISO 15118 V2G interface
Dimensions	Charging Station: 16" x 12" x 4" (406mm x 305mm x 102mm) Charging Gun: 12" x 3" (305mm x 76mm)
WiFi	2.4 GHz 802.11b/g/n
Enclosure	IP66 waterproof indoor/outdoor
Certifications	This product is in the design phase, with expected release in 2023. Like all Emporia products, the Emporia V2X Bi-Directional Charger is being designed with your safety in mind. It will be manufactured to meet the safety

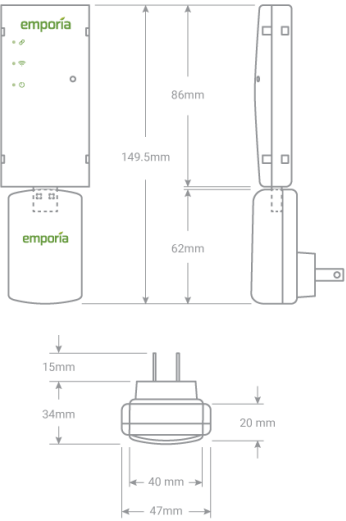


	criteria defined by these international standards: UL1741SA (Inverter), UL 2231, UL 1998, UL 9741, UL 2202.
--	---

Vue Utility Connect

Download Vue Utility Connect Spec Sheet PDF

WiFi	2.4 GHz 802.11b/g/n
ZigBee®	Smart Energy Profile 1.1b (IEEE 802.15.4)
Power Adapter Input	100-240VAC 50-60Hz UL listing: I.T.E Power Supply E361658
Power Adapter Output	5V DC
Power Consumption	< 5W
FCC IDs	2AC7Z-ESP32WROVER and QQQMGM1
Monitor Size	3.4" x 1.9" x 0.8" (86mm x 47mm x 20mm)
Power Adapter Size	2.5" x 1.6" x 1.9" (62mm x 40mm x 49mm)
Operating Conditions	-40° -122° F (-40° – 50° C) 0-80% RH



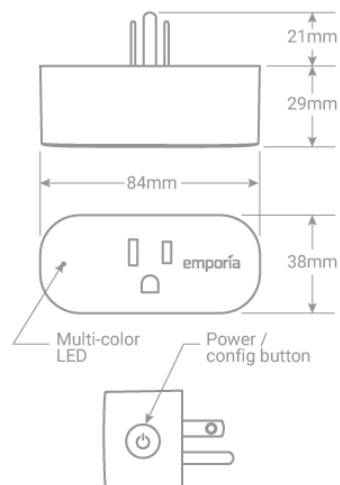
Shop Vue Utility Connect



Emporia Smart Plug (North America)

[Download Smart Plug Spec Sheet PDF](#)

WiFi	2.4 GHz 802.11b/g/n
Input VAC	120V
Max Peak Load (1hr/day)	15A
Max Continuous Load	10A
Frequency	50-60Hz
Power Consumption	~1W
FCC ID	2AKBP-X10S
Certification	ETL certified by Intertek 5015249
Dimensions	3.3" x 1.5" x 1.1" (84mm x 38mm x 29mm)



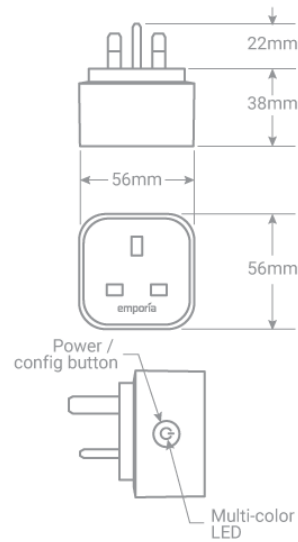
[Shop Smart Plugs](#)

Emporia Smart Plug (United Kingdom)

[Download Smart Plug Spec Sheet PDF](#)



WiFi	2.4 GHz 802.11b/g/n
Input VAC	100-240V
Max Peak Load (1hr/day)	13A
Max Continuous Load	10A
Frequency	50-60Hz
Power Consumption	~1W
Certification	Certified by UKCA and CE
Dimensions	2.2" x 2.2" x 2.4" (56mm x 56mm x 60mm)



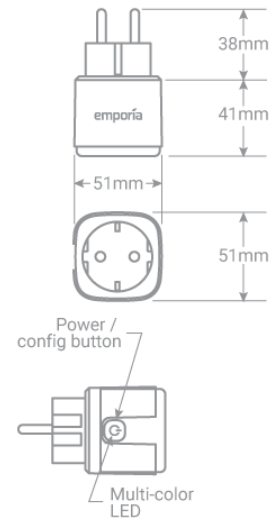
[Shop Smart Plugs](#)

Emporia Smart Plug (Europe)

[Download Smart Plug Spec Sheet PDF](#)



WiFi	2.4 GHz 802.11b/g/n
Input VAC	100-240V
Max Peak Load (1hr/day)	16A
Max Continuous Load	10A
Frequency	50-60Hz
Power Consumption	~1W
Certification	CE Certified
Dimensions	2" x 2" x 3.1" (51mm x 51mm x 79mm)



Shop Smart Plugs

Need Help?

Talk to a **real person** at Emporia!

8AM – 5PM US Mountain Time:

Monday – Friday

(except for major holidays)

- Chat: **Support Chat**
- Web: **Support Form**



- Phone: **844-EMPORIA** (367-6742)
- Email: **support@emporiaenergy.com**



7901 Shaffer Pkwy
 Littleton, CO 80127
info@emporiaenergy.com
 844-EMPORIA (367-6742)



2021-2023 © Emporia Corp. All Rights Reserved.

[Refunds and Returns Policy](#) | [Warranty Info](#) | [Privacy Policy](#) | [Terms of Service](#) | [Smart Plug Product Recall](#)

